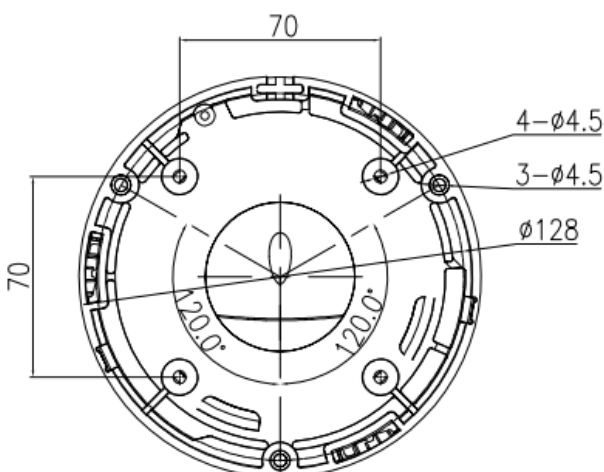
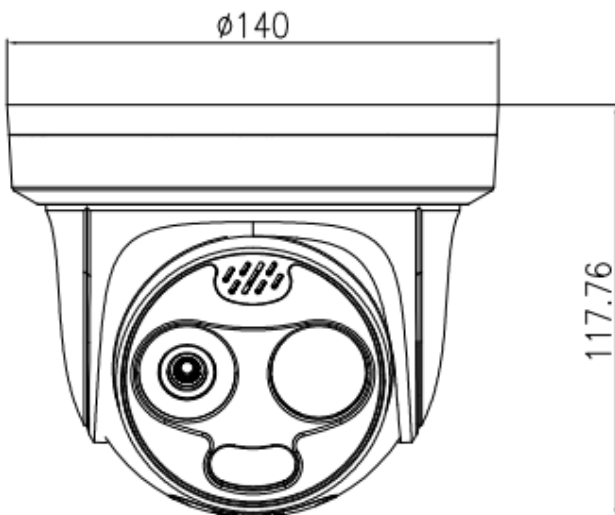


FSD-256

Fire Smoke Detection Camera



The SATIR FSD-256 is a fire smoke detection thermal camera. It is a dual camera as it has an IR Detector resolution of 256x192 and a visible (digital) camera. The benefit over this type of smoke detection camera over a traditional fire alarm is that it allows you to see the start of a fire which can lead to early extinguishing of a fire that could potentially cause loss of life and production shut-down time.



Key Features

- 256x192 IR Detector
- Detects Smoke & Fire
- ONVIF and RJ-45 compatible
- Motion Sensor
- Illumination up to 35 metres
- 3 Temperature Measurement Tools (Line, Area, Spot)

FSD-256 Specifications

Thermal Camera	
Detector Type	Vanadium Oxide Uncooled Focal Plane Arrays
Detector Resolution	256×192, Image can be scaled up to 704×576
Pixel Size	12µm
Thermal Sensitivity (N.E.T.D)	≤60mK
Spectral range	8~14µm
Image Setting	Brightness/Sharpness/Contrast/Mirror/FFC/3D DNR
Colour Palettes	Black-Heat /White-Heat/Rainbow/Iron-Red up to 17 modes
Lens Type	Fixed, F1.0
Lens Focus	Free focus
Focal Length	3.5mm
Angle of View	H: 48°, V: 36°
Human Detection Distance (1.8×0.5m)	146m
Vehicle Detection Distance (4×1.5m)	447m
Fire Detection Distance for Object (1m×1m)	146m
Temperature Measurement Distance For Object (1m×1m)	53m
Human Recognition Distance (1.8×0.5m)	36m
Recognition Distance for Vehicle (4×1.5m)	112m
Visible Camera	
Image Sensor	1/2.7" CMOS
Effective Resolution	2880(H)×1620(V)
Shutter Speed	1/5 ~ 1/20,000s
Wide Dynamic Range	True WDR 120dB
Min. Illumination	Color: 0.001Lux @(F1.2, AGC ON) B/W: 0.0003Lux @(F1.2, AGC ON)
S/N Ratio	More than 55dB
Focal Length	4mm
Angle of View	H: 92°, V: 46°
Illuminator	
IR Distance	Up to 35M
Video & Audio	
Frame Rate	Main Stream: Visible: 2880×1620, 2560×1440, 2304×1296, 1920×1080, 1280×720 @25/30fps Thermal: 704×576 @25/30fps Sub Stream: Visible: D1/VGA/640×360/CIF/QVGA @25/30fps Thermal: CIF @25/30fps
Bit Rate Control	CBR/VBR
Bit Rate	Main Stream: Visible: 100Kbps~16Mbps Thermal: 100Kbps~6Mbps Sub Stream: Visible: 100Kbps~6Mbps Thermal: 10Kbps~6Mbps
Region of Interest	Off / On (8 Zone, Rectangle)
Mirror, Defog, Motion Detection, DVE Image Enhance	Support
Privacy Masking	Off / On (5 Area, Rectangle)
Audio Compression	G.711: 8kbps, RAW_PCM: 16kbps

Please be aware

FSD-256 Specifications

Smart Functions	
Smart Functions	Temperature detection, human, vehicle, fire and smoking detection & alarm
Fire Detection	Dynamic fire detection, up to 10 fire points detectable
IVS	Perimeter, Virtual Fence, Enter Area, Leave Area
Audible/Light and temperature alarm	Yes, White light flashing and horn warning
Temperature Measurement	3 temperature measurement rule types, 20 rules in total, 1 full screen, 19 others (points, areas, line).
Temperature Range	-40°C ~ 150°C (-40°F ~ 302°F)
Temperature Accuracy	±2°C/ ±2%
Response Time	≤ 30ms
Network	
Ethernet	RJ-45 (10/100Base-T)
Protocols	IPv4/IPv6 ,HTTP,RTSP/RTP/RTCP, TCP/UDP, DHCP, DNS, PPPOE, SMTP ,802.1x
Interoperability	ONVIF
Max. User Access	10 Users
Edge Storage	Local PC for instant recording Micro SD card up to 256GB
Web Viewer	<IE11, Chrome, Firefox, Microsoft Edge
Web Language	English, Chinese, Polish, Italian, Portuguese, Spanish. Russian, French, Czech, Hungarian
Interface	
Ethernet	1 Ethernet (10/100 Base-T) RJ-45 Connector
Audio	1ch Audio In, 1ch Audio Out Built-in Mic and Speaker
Alarm	1ch Alarm In, 1ch Alarm Out
RS485,HDMI,Reset Button	Yes
General	
Power Supply	DC12V/DC24V/POE (IEEE 802.3af)
Power Consumption	Max 10W
Working Temperature	-40°C ~ 60°C (-40°F ~ 140°F)
Encapsulation	IP66
Dimensions	138 mm × 138 mm × 123 mm (5.43 "×5.43"×4.84 ")
Weight	1.03 Kg (2.27 lb)

Please be aware specifications can vary from time to time